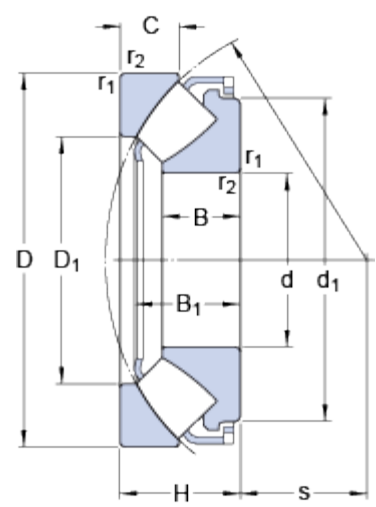




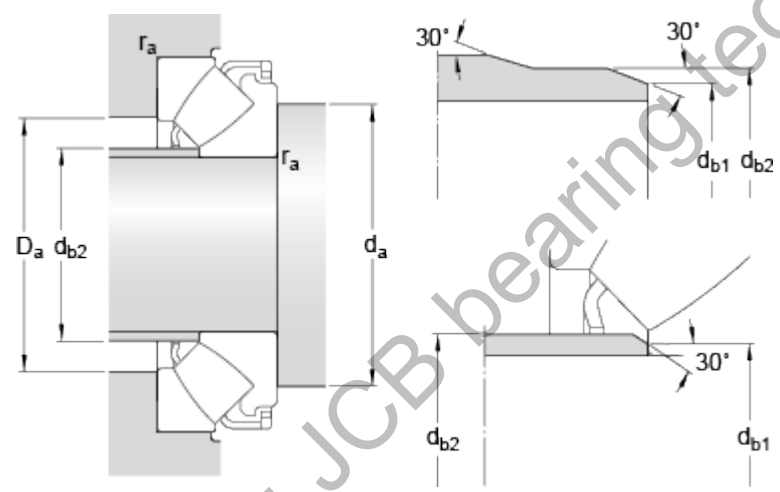
29328

**Dimensions**



d	140	mm
D	240	mm
H	60	mm
d <sub>1</sub>	≈ 216	mm
D <sub>1</sub>	≈ 177	mm
B	38.5	mm
B <sub>1</sub>	54	mm
C	30	mm
s	82	mm
r <sub>1,2</sub>	min. 2.1	mm

**Abutment dimensions**



d <sub>a</sub>	min. 185	mm
d <sub>b1</sub>	max. 148	mm
d <sub>b2</sub>	max. 154	mm
D <sub>a</sub>	max. 208	mm
r <sub>a</sub>	max. 2	mm

**Calculation data**

Basic dynamic load rating	C	980	kN
Basic static load rating	C <sub>0</sub>	2850	kN
Fatigue load limit	P <sub>u</sub>	315	kN
Reference speed		1500	r/min
Limiting speed		2600	r/min
Minimum axial load factor	A	0.77	

**Mass**

Mass bearing		10.5	kg
--------------	--	------	----